

# Technical data sheet

## Connection thread sealing ring, PG

Item number: 2030071



Connection thread sealing ring, in accordance with Part 9 to DIN 46320, however, dimensions may, according to material or function, deviate, suitable for all plastic cable glands with PG connection thread to DIN EN 40430, the internal diameter of the sealing rings are designed so that they can be captively pre-mounted.

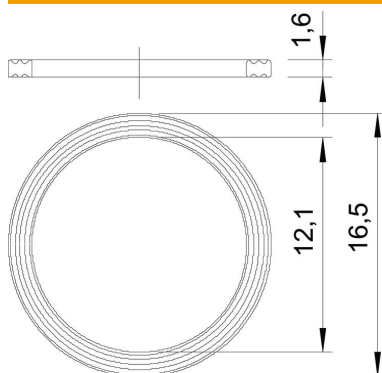


PE Polyethylene

### Master data

Item number	2030071
Type	107 F PG7 PE
Description 1	Connection thread sealing ring
Manufacturer	OBO
Dimension	PG7
Material	Polyethylene
Smallest sales unit	100
Unit of quantity	Piece
Weight	0.01 kg
Weight unit	kg/100 pc.

### Dimensions



Dimension D1	16.5 mm
Dimension D2	12.1 mm
Dimension t	1.6 mm

# Technical data sheet

Connection thread sealing ring, PG

Item number: 2030071



## Technical data

Version for	Flat sealing ring
Screw for PG thread dimension	7
Halogen-free	yes
Inner diameter	12.1 mm