

Technical data sheet

Accessory mounting box 71GD6, single

Item number: 6288610



Front locking accessory mounting box for switch systems, with folding, and also removable, base for time-saving cable connection, with feed openings for cable diameters of up to 14 mm. Halogen-free version.
Horizontal fixing track 60 mm.



PA Polyamide

Master data

Item number	6288610
Type	71GD6
Description 1	Accessory mounting box
Description 2	single
Manufacturer	OBO
Dimension	51x76x71
Colour	Iron grey; RAL 7011
Material	Polyamide
Smallest sales unit	5
Unit of quantity	Piece
Weight	5.6 kg
Weight unit	kg/100 pc.

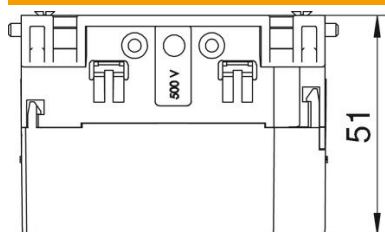
Technical data sheet

Accessory mounting box 71GD6, single

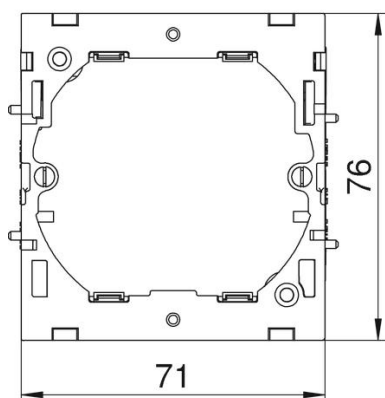
Item number: 6288610



Dimensions



Length	71 mm
Width	76 mm
Height	51 mm



Technical data

Number of units	1
Version for	Closed
Fastening track	Other
Halogen-free	yes
With connection compartment	yes
Box mounting type	Front
Accessory mounting type	Bolts
Strain relief option	yes