

Technical data sheet

Protective contact socket, 33°, single

Item no. 6120111



Protective contact socket double 33°, with increased touch protection, with screwless terminals, 2-pin, 16 A, 250 V~, with connection terminals to IEC 60884-1.

For installation in Rapid 45 ducts, device installation ducts, installation columns, underfloor systems and Deskboxes.

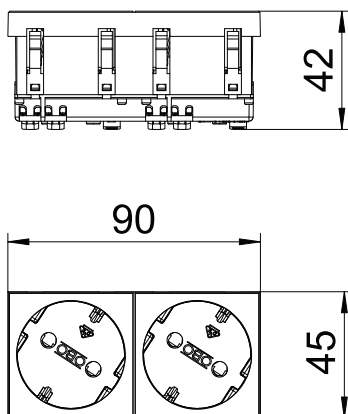


PC Polycarbonate

Master data

| | |
|--------------------------|--------------------|
| Item no. | 6120111 |
| Type | STD-D3S SWGR2 |
| Description 1 | Socket 33°, double |
| Description 2 | protective contact |
| Dimension | 250V, 10/16A |
| Colour | Black-grey |
| RAL number | 7021 |
| Material | Polycarbonate |
| Material symbol | PC |
| Smallest sales unit (VG) | 1 Piece |
| Weight | 7,70 kg/100 pc. |

Technical data



| | |
|--|--|
| Width | 90,00 mm |
| Height | 45,00 mm |
| Depth | 42,00 mm |
| Cover | Central plate |
| Closable | <input type="checkbox"/> |
| Connection type | Screwless terminal |
| Printed label/coding | Without printing |
| Version | double 33° |
| Version | Socket 33°, double, protective contact |
| Surface version | Matt |
| Sockets/switch version | SCHUKO |
| Version for | SCHUKO |
| Number of poles | 2 |
| Number of units | 2 |
| Number of modules (for modular construction) | 0 |
| Number of switchable sockets | 0 |
| Ejection mechanism | <input type="checkbox"/> |
| Fastening type | Lock |
| Labelling panel | <input type="checkbox"/> |
| Operating temperature | -5,00 - 40,00 °C |
| Error current protection | <input type="checkbox"/> |
| For more difficult conditions (according to VDE) | <input type="checkbox"/> |
| Halogen-free | <input checked="" type="checkbox"/> |
| Insulated installation | <input type="checkbox"/> |

Technical data sheet

Protective contact socket, 33°, single

Item no. 6120111



Technical data

| | |
|----------------------------|-------------------------------------|
| Increased touch protection | <input checked="" type="checkbox"/> |
| Hinged cover | <input type="checkbox"/> |
| Coding | No |
| Warning light | <input type="checkbox"/> |
| With on/off switch | <input type="checkbox"/> |
| With fine-wire fuse | <input type="checkbox"/> |
| With functional lighting | <input type="checkbox"/> |
| With orientation lighting | <input type="checkbox"/> |
| Mounting type | Device installation duct |
| Nominal voltage | 250,00 V |
| Nominal current | 16,00 A |
| Protection rating | Other |
| Special power supply | Without special power supply |
| Socket version | Schutzkontakt |
| Socket angle | 33° |
| Transparent | <input type="checkbox"/> |
| Surge protection | <input type="checkbox"/> |
| Rotated central insert | <input checked="" type="checkbox"/> |