

Technical data sheet

33° socket, protective contact, double

Item no. 6120102



Power socket Double 33°, with increased touch protection with screwless terminals, 2-pin, 16 A, 250 V~, with connection terminals to IEC 60884-1.

For installation in Rapid 45 ducts, device installation ducts, installation columns, underfloor systems and Deskboxes.

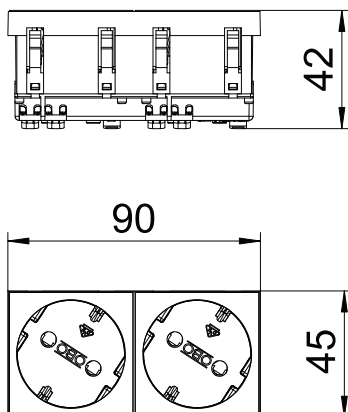


PC Polycarbonate

Master data

Item no.	6120102
Type	STD-D3 RW2
Description 1	Socket 33°, double
Description 2	protective contact
Dimension	250V, 10/16A
Colour	Pure white
RAL number	9010
Material	Polycarbonate
Material symbol	PC
Smallest sales unit (VG)	1 Piece
Weight	7,80 kg/100 pc.

Technical data



Width	90,00 mm
Height	45,00 mm
Depth	42,00 mm
Cover	Central plate
Closable	<input type="checkbox"/>
Connection type	Screwless terminal
Printed label/coding	Without printing
Version	Double 33°
Version	Socket 33°, double, protective contact
Surface version	Matt
Sockets/switch version	SCHUKO
Version for	SCHUKO
Number of poles	2
Number of units	2
Number of modules (for modular construction)	0
Number of switchable sockets	0
Ejection mechanism	<input type="checkbox"/>
Fastening type	Lock
Labelling panel	<input type="checkbox"/>
Operating temperature	-5,00 - 40,00 °C
Error current protection	<input type="checkbox"/>
For more difficult conditions (according to VDE)	<input type="checkbox"/>
Halogen-free	<input checked="" type="checkbox"/>
Insulated installation	<input type="checkbox"/>

Technical data sheet

33° socket, protective contact, double

Item no. 6120102



Technical data

Increased touch protection	<input checked="" type="checkbox"/>
Hinged cover	<input type="checkbox"/>
Coding	No
Warning light	<input type="checkbox"/>
With on/off switch	<input type="checkbox"/>
With fine-wire fuse	<input type="checkbox"/>
With functional lighting	<input type="checkbox"/>
With orientation lighting	<input type="checkbox"/>
Mounting type	Device installation duct
Nominal voltage	250,00 V
Nominal current	16,00 A
Protection rating	Other
Special power supply	Without special power supply
Socket version	Schutzkontakt
Socket angle	33°
Transparent	<input type="checkbox"/>
Surge protection	<input type="checkbox"/>
Rotated central insert	<input checked="" type="checkbox"/>