

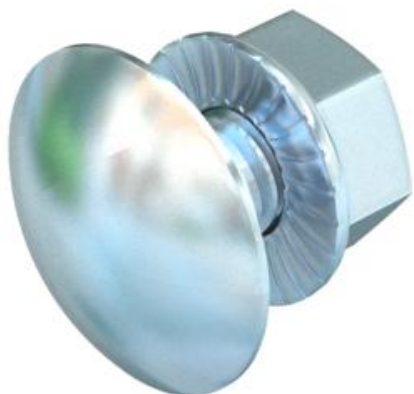
Technical data sheet

Truss-head bolt with flange nut F

Item number: 6406125



Truss-head bolt with square neck including flange nut.



St Steel

F Hot galvanized

Master data

Item number	6406125
Type	FRSB 6x12 VZ F
Description 1	Truss-head bolt
Description 2	with combination nut
Manufacturer	OBO
Dimension	M6x12
Material	Steel
Surface	Hot galvanized
Surface standard	DIN 267, Teil 10
Smallest sales unit	10
Unit of quantity	Piece
Weight	0.84 kg
Weight unit	kg/100 pc.

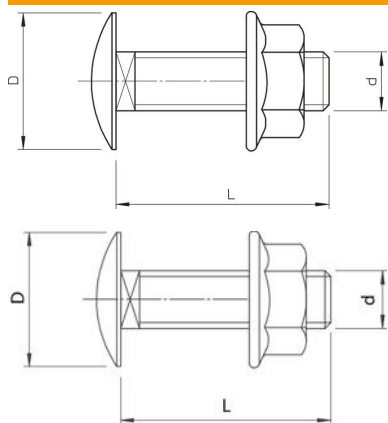
Technical data sheet

Truss-head bolt with flange nut F

Item number: 6406125



Dimensions



Length	12 mm
Dimension D	13.5 mm
Dimension d	6 mm
Dimension L	12 mm

Technical data

Resistance grade	5.6
Thread metric	6
With nut	yes
WAF	10