

# Technical data sheet

## Flat angle cover, smooth

Item number: 6274490



PVC flat angle cover, smooth surface.



**PVC** Polyvinylchloride

### Master data

Item number	6274490
Type	GK-OTGFRW
Description 1	Cover
Description 2	flat angle, smooth
Manufacturer	OBO
Colour	Pure white; RAL 9010
Material	Polyvinylchloride
Smallest sales unit	1
Unit of quantity	Piece
Weight	17 kg
Weight unit	kg/100 pc.

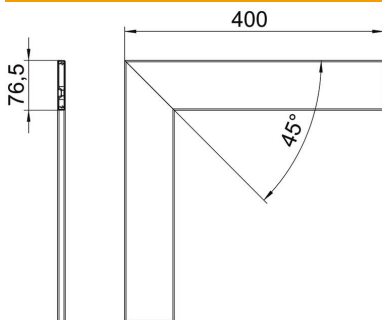
# Technical data sheet

## Flat angle cover, smooth

Item number: 6274490



### Dimensions



Length	400 mm
Width	76.5 mm
Height	12 mm

### Technical data

Version for	Smooth
Halogen-free	no
Cover mounting type	Internal
Protection rating	IP30
Protective film	yes
Protection rating IK code	IK08
Permitted temperature range, max.	60 °C
Permitted temperature range, min.	-15 °C