

# Technical data sheet

## Wall and support bracket AW 15

Item no. 6420788



Light-duty wall and support bracket with welded head plate.

Fastening of the bracket to the U support of width 400 mm or greater using a hexagonal bolt through both sides of the support. Please insert suitable spacers.

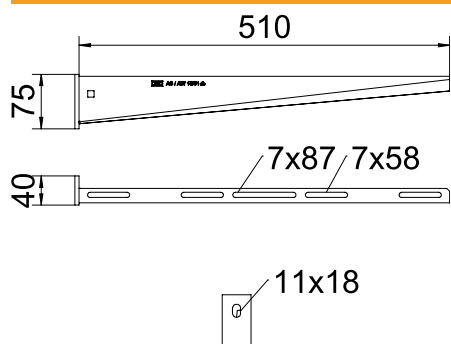


St	Steel
FT	Hot-dip galvanised

### Master data

Item no.	6420788
Type	AW 15 51 FT
Description 1	Wall and support bracket
Description 2	with welded head plate
Dimension	B510mm
Material	Steel
Material symbol	St
Surface	Hot-dip galvanised
Surface to DIN	DIN EN ISO 1461
Surface symbol	FT
Smallest sales unit (VG)	1 Piece
Weight	67,30 kg/100 pc.

### Technical data



Width	510,00 mm
Side height	75,00 mm
Dimension A	40,00 mm
Dimension B	510,00 mm
Dimension H	75,00 mm
Dimension L	510,00 mm
Hole diameter	11,00 mm
Dimension value	510 x 75
Version	Wall and support brackets
Version	Wall and support bracket
EPD article	<input checked="" type="checkbox"/>
F in kN	1,50 kN
Suitable for maintaining electrical function	<input checked="" type="checkbox"/>
Rustproof steel, pickled	<input type="checkbox"/>
Angle range	90,00 - 90,00 °

# Technical data sheet

## Wall and support bracket AW 15

Item no. 6420788



### Load charts



### Load diagram, bracket, type AW 15

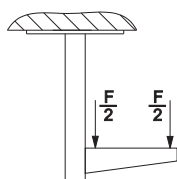
- 1 Bending of the bracket tip at permitted bracket load
- 2 Permitted bracket load in kN without man load
- Load curve with bracket lengths in mm

### Characteristic anchor load values for wall bracket AW 15

Wall fastening		Max. load [kN]							
		Bracket width [mm]							
		110%	160	210	310	410	510	560	610
Anchor type									
BZ-U 8-10-21/75		1,50	0,90	1,30	0,65	0,55	2,40	0,45	0,45
BZ-U 10-10-30/90		1,50	1,50	1,40	1,50	0,95	0,85	1,30	1,30

Max. total load  $F$  = cable weight + cable tray + bracket. The load capacity values increase considerably when used in uncracked concrete. The values given are based on concrete of strength class C20/25. Observe the installation conditions of the DIBt approval (anchors).

### Load values for AW 15 on suspended support



### Load values for AW 15 on suspended support

### Characteristic anchor load values for wall bracket AW 15

T1	Wall fastening									
T2		Max. load [kN]								
T3		Bracket width [mm]								
T4	Anchor type	110%	160	210	310	410	510	560	610	
	BZ-U 8-10-21/75	1,5	0,9	1,3	0,65	0,55	2,4	0,45	0,45	
	BZ-U 10-10-30/90	1,5	1,5	1,4	1,5	0,95	0,85	1,3	1,3	