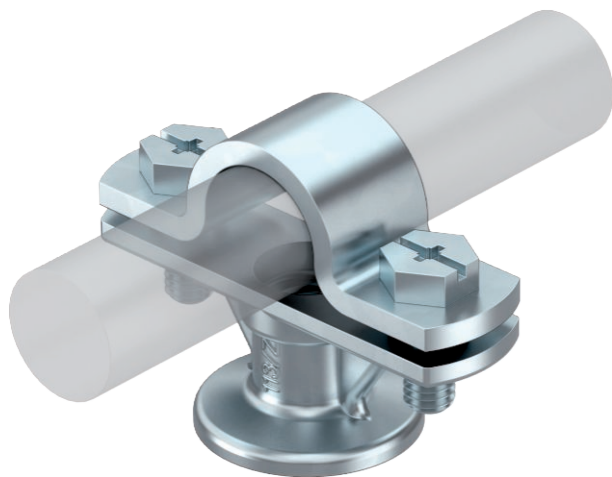


Technical data sheet

Rod holder, 16 mm

Item no. 5412609



- For air-termination and earth entry rods Rd 16
- Installed with crossbar and hexagonal bolts M6 x 16
- With female thread M8 or through hole \varnothing 7 mm

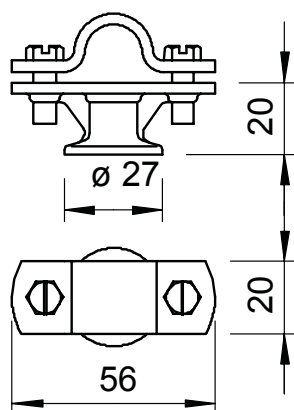
Zn Die-cast zinc

Galvanised

Master data

Item no.	5412609
Type	113 Z-16
Description 1	Rod holder
Dimension	16mm
Material	Die-cast zinc
Material symbol	Zn
Surface	Galvanised
Surface symbol	VZ
Smallest sales unit (VG)	10 Piece
Weight	6,00 kg/100 pc.

Technical data



Rod fastening type	With screw clip
Holder fastening type	Drill hole with M thread
Thread size M	8
Fit	Rd 16 mm