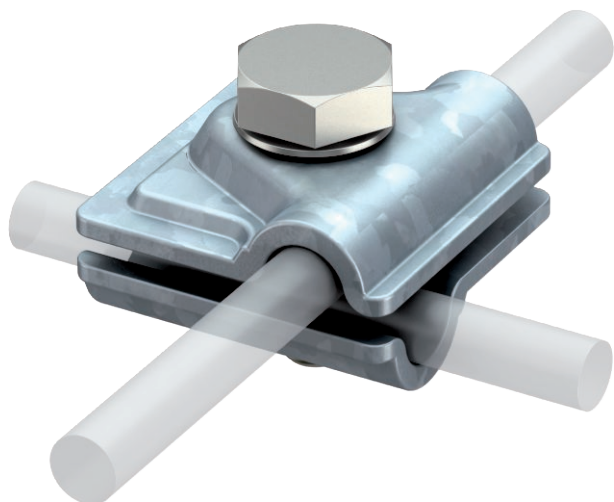


Technical data sheet

Vario quick connector

Item no. 5311500



- For T, cross and parallel connectors
- Quick installation using hexagonal bolt M10 x 30, high-grade stainless steel
- Conforms to the requirements according to DIN VDE 0185-305 (IEC 62305)



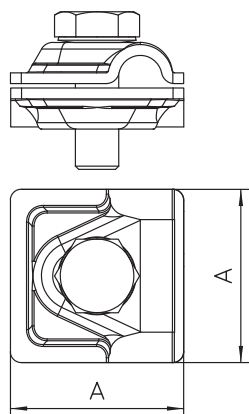
- St** Steel
- FT** Hot-dip galvanised

Product description

Master data

Item no.	5311500
Type	249 8-10 ST
Description 1	Quick connector
Description 2	vario
Dimension	8-10mm
Material	Steel
Material symbol	St
Surface	Hot-dip galvanised
Surface to DIN	DIN EN ISO 1461
Surface symbol	FT
Weight	9,31 kg/100 pc.

Technical data



Dimension A	40,00 mm
Type of fastening screw	Hex set screw
Type of connector	Multipurpose connection clamp
Lightning current carrying capacity	H/100 kA
Suitable for connection	Round conductor Rd 8-10 / Rd 8-10
Short-circuit current (50 Hz)(1 s; ≤300°C)	5,60 kA
Fit	Rd 8-10 mm
Intermediate plate	<input type="checkbox"/>