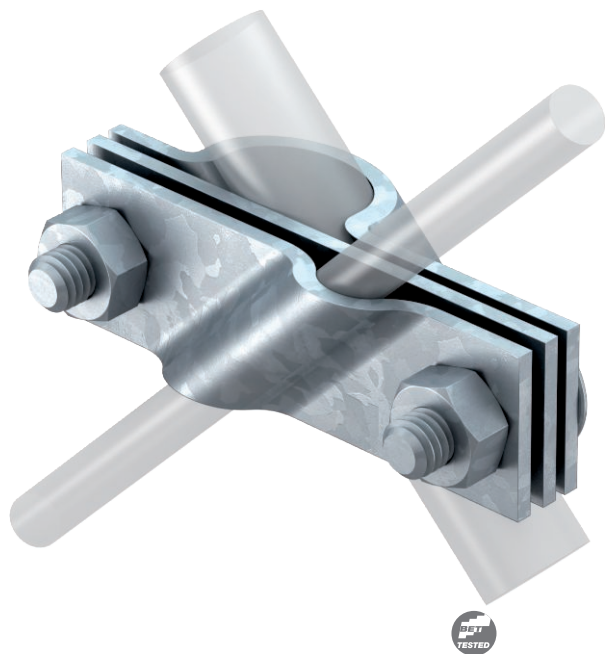


# Technical data sheet

## Connection clamp for earth rod, universal

Item no. 5001641



- Suitable for attaching round conductors Rd 8-10 or flat conductors to FL 40
- With separator plate
- Installed with 2 hexagonal bolts M10 x 30 and 2 hexagonal nuts M10

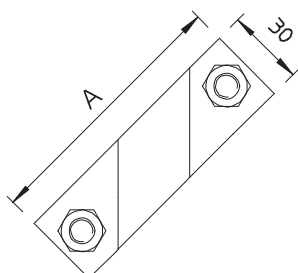


<b>St</b>	Steel
<b>FT</b>	Hot-dip galvanised

### Master data

Item no.	5001641
Type	2760 20 FT
Description 1	Connection clamp
Description 2	for round and flat conductors
Dimension	20mm
Material	Steel
Material symbol	St
Surface	Hot-dip galvanised
Surface to DIN	DIN EN ISO 1461
Surface symbol	FT
Smallest sales unit (VG)	5 Piece
Weight	28,34 kg/100 pc.

### Technical data



Dimension A	101,00 mm
Shape	Connection clip
Earthing connection diameter	20 mm
for earth rods	20,00 Ø mm
Clamping range	8-10 mm
Short-circuit current (50 Hz)(1 s; ≤300°C)	7,90 kA
Fit	Rd 8-10/FL40 mm
Intermediate plate	<input checked="" type="checkbox"/>

