

# Technical data sheet

## Clamp clip, single, metal pressure trough, round profiles/pipes

Item no. 1158305



Suitable for all round profile irons or pipes of diameters to 22 mm; clip, pressure trough and bolt made of steel, hot-dip galvanised; the metal troughs have strongly rounded edges on all sides, so that no damage to the cables need be feared.

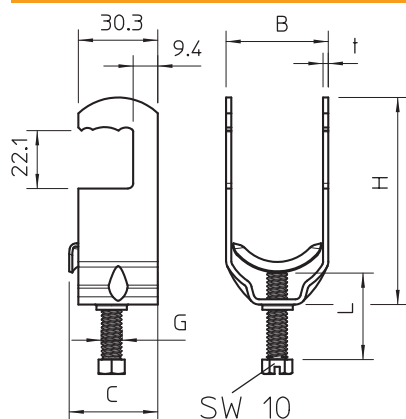


- St** Steel
- FT** Hot-dip galvanised

### Master data

Item no.	1158305
Type	2056RS M 16 FT
Description 1	Clamp clip
Description 2	with metal pressure sump
Dimension	12-16mm
Material	Steel
Material symbol	St
Surface	Hot-dip galvanised
Surface to DIN	DIN EN ISO 1461
Surface symbol	FT
Smallest sales unit (VG)	100 Piece
Weight	4,00 kg/100 pc.

### Technical data



Dimension B	20,00 mm
Dimension C	28 mm
Dimension G	M6
Dimension H	57,00 mm
Dimension L	26,00 mm
Dimension t	1,50 mm
Number of cables/pipes	1
Max. tightening torque for pipe diameter	3,00 Nm 16 mm
Halogen-free	<input type="checkbox"/>
With plastic trough	<input type="checkbox"/>
With metal trough	<input checked="" type="checkbox"/>
Mounting type	Round profile
Impact-resistant	<input type="checkbox"/>
Clamping range D	12,00 - 16,00 mm
Surface addition	hot galvanised
Material addition	Steel