

Technical data sheet

Trunking, type WDK 10020

Item number: 6027321



Wall and ceiling trunking, halogen-free, consisting of base and cover for mounting directly on the wall.
During installation, ensure that only halogen-free accessories and fastening materials are used.



PVC Polyvinylchloride

Master data

Item number	6027321
Type	WDK10020SW
Description 1	Wall trunking system
Description 2	with base perforation
Manufacturer	OBO
Dimension	2000x20x10
Colour	Jet black; RAL 9005
Material	Polyvinylchloride
Smallest sales unit	96
Unit of quantity	Metre
Weight	10 kg
Weight unit	kg/100 m

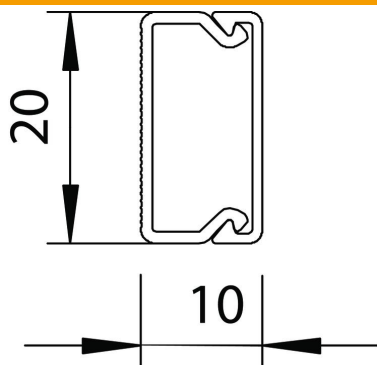
Technical data sheet

Trunking, type WDK 10020

Item number: 6027321



Dimensions



Length	2,000 mm
Width	20 mm
Height	10 mm

Technical data

Number of fixed partitions	0
Number of insertable partitions	0
Version, cable trunking cover	Loose
Fastening type	Base perforation
Maintain electrical functions	no
Halogen-free	no
Cable retaining clip	yes
Duct connector	no
Delivery on a roll	no
Usable cross-section	135 mm ²
Protection rating	IP30
Protective film	no
Protection rating IK code	IK04
Permitted temperature range, max.	60 °C
Permitted temperature range, min.	-5 °C