

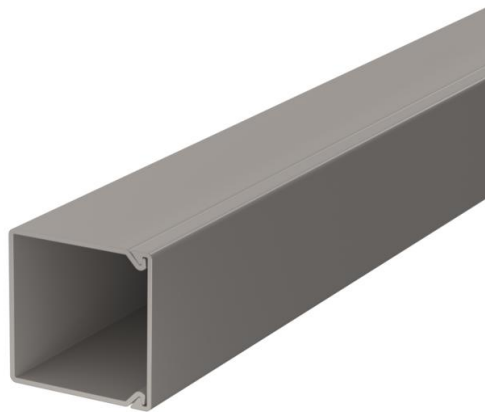
Technical data sheet

Trunking, type WDK 25025

Item number: 6026419



Trunking cover and base with base perforation.



PVC Polyvinylchloride

Master data

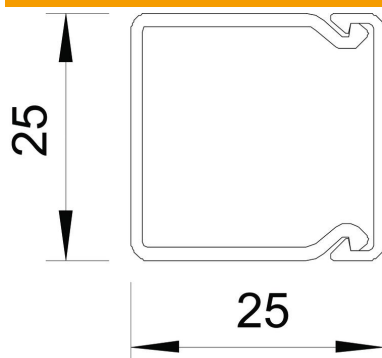
Item number	6026419
Type	WDK25025GR
Description 1	Wall trunking system
Description 2	with base perforation
Manufacturer	OBO
Dimension	25x25x2000
Colour	Stone grey; RAL 7030
Material	Polyvinylchloride
Smallest sales unit	30
Unit of quantity	Metre
Weight	24.5 kg
Weight unit	kg/100 m

Technical data sheet

Trunking, type WDK 25025

Item number: 6026419

Dimensions



Length	2,000 mm
Width	25 mm
Height	25 mm

Technical data

Number of fixed partitions	0
Number of cables NYM 3 x 1.5 mm ² Ø 10.5 mm (without socket)	2
Number of cables NYM 3 x 2.5 mm ² Ø 11.5 mm (without socket)	2
Number of cables NYM 5 x 1.5 mm ² Ø 12.0 mm (without socket)	2
Number of insertable partitions	0
Version, cable trunking cover	Loose
Fastening type	Base perforation
Maintain electrical functions	no
Halogen-free	no
Cable retaining clip	no
Duct connector	no
Delivery on a roll	no
Usable cross-section	460 mm ²
Protection rating	IP30
Protective film	no
Protection rating IK code	IK04
Permitted temperature range, max.	60 °C
Permitted temperature range, min.	-5 °C