

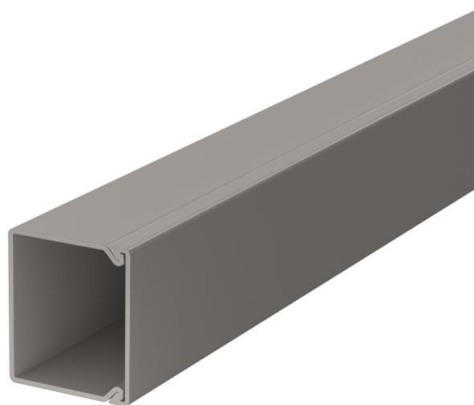
# Technical data sheet

Trunking, type WDK 30030

Item number: 6026818



Trunking cover and base with base perforation.



**PVC** Polyvinylchloride

## Master data

Item number	6026818
Type	WDK30030GR
Description 1	Wall trunking system
Description 2	with base perforation
Manufacturer	OBO
Dimension	30x30x2000
Colour	Stone grey; RAL 7030
Material	Polyvinylchloride
Smallest sales unit	40
Unit of quantity	Metre
Weight	24.9 kg
Weight unit	kg/100 m

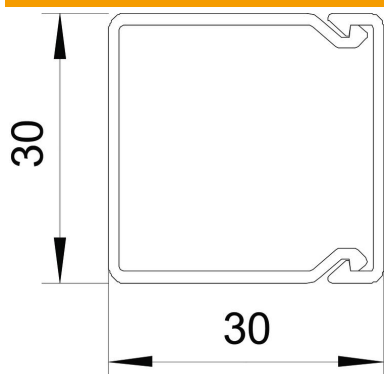
# Technical data sheet

## Trunking, type WDK 30030

Item number: 6026818



### Dimensions



Length	2,000 mm
Width	30 mm
Height	30 mm

### Technical data

Number of fixed partitions	0
Number of cables NYM 3 x 1.5 mm <sup>2</sup> Ø 10.5 mm (without socket)	4
Number of cables NYM 3 x 2.5 mm <sup>2</sup> Ø 11.5 mm (without socket)	4
Number of cables NYM 5 x 1.5 mm <sup>2</sup> Ø 12.0 mm (without socket)	4
Number of insertable partitions	0
Version, cable trunking cover	Loose
Fastening type	Base perforation
Maintain electrical functions	no
Halogen-free	no
Cable retaining clip	no
Duct connector	no
Delivery on a roll	no
Usable cross-section	731 mm <sup>2</sup>
Protection rating	IP30
Protective film	no
Protection rating IK code	IK04
Permitted temperature range, max.	60 °C
Permitted temperature range, min.	-5 °C