

# Technical data sheet

## Trunking, type WDK 60060

Item number: 6025668



Trunking cover and base with base perforation.  
Four cover clips included  
Lid clamp can be moved along the entire length of the trunking.



**PVC** Polyvinylchloride

### Master data

Item number	6025668
Type	WDK60060GR
Description 1	Wall trunking system
Description 2	with base perforation
Manufacturer	OBO
Dimension	60x60x2000
Colour	Stone grey; RAL 7030
Material	Polyvinylchloride
Smallest sales unit	32
Unit of quantity	Metre
Weight	81.6 kg
Weight unit	kg/100 m

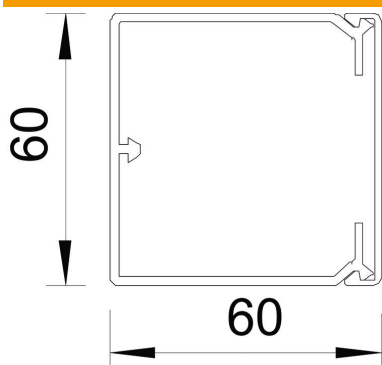
# Technical data sheet

## Trunking, type WDK 60060

Item number: 6025668



### Dimensions



Length	2,000 mm
Width	60 mm
Height	60 mm

### Technical data

Number of fixed partitions	0
Number of cables NYM 3 x 1.5 mm <sup>2</sup> Ø 10.5 mm (without socket)	16
Number of cables NYM 3 x 2.5 mm <sup>2</sup> Ø 11.5 mm (without socket)	13
Number of cables NYM 5 x 1.5 mm <sup>2</sup> Ø 12.0 mm (without socket)	12
Number of insertable partitions	1
Version, cable trunking cover	Loose
Fastening type	Base perforation
Maintain electrical functions	no
Halogen-free	no
Cable retaining clip	yes
Duct connector	no
Delivery on a roll	no
Usable cross-section	2863 mm <sup>2</sup>
Protection rating	IP30
Protective film	no
Protection rating IK code	IK04
Permitted temperature range, max.	60 °C
Permitted temperature range, min.	-5 °C